



The tube head is 70 kVp and 7 mA.

The Z70_{AC} provides clear radiographs with reduced times of exposition

Very tight and accurate counter balance arm prevents drifting

Compatible with film, PSP plate systems and Dental Sensors

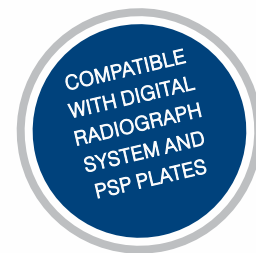
New TOSHIBA™ X-Ray Tube

Z70_{AC}

Z70_{AC} Dental X-Ray Unit Diagnosis through high-resolution imaging

Made with tubular steel and strong aluminum structure, XZeal Z70_{AC} allows smooth and accurate movements with a great mobility. The unit has been developed to produce X-rays of excellent quality with high image definition and lower exposure time for the patient.

XZeal units provide the highest degree of safety for both operator and patient, complying with international quality and radiological safety standards.



Quality is our Hallmark

General Specifications

Z70Ac Control Panel



- Automatic setting of exposure time
- Friendly control panel functions
- Adult and child selection
- Hand-switch for the exposure with coiled cable

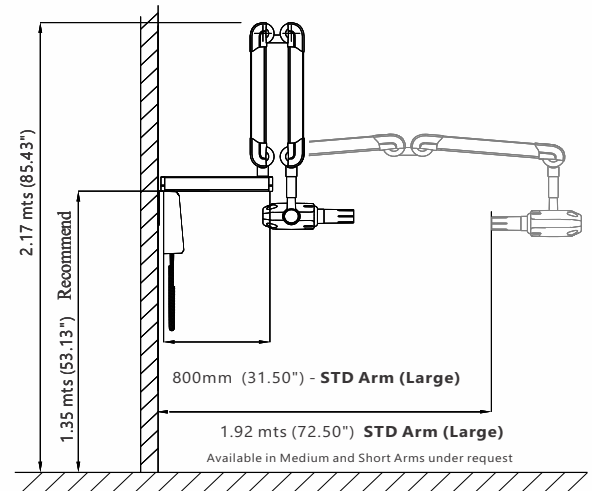
Important Information about Installation

The Z70Ac Wall mounted model is prepared to be installed in a "Single Stud" (4x4), "Double Stud" (16" - Wall Back Plate Optional) and Block Wall. For "Passthrough" installation requires a minimum width of 11" (template with details available upon request). Push Button switch is available as option.

Z70Ac Technical Data

● Power input ~(VAC)	120 VAC
● Nominal current	8 A - 4 A
● Mains frequency	50 / 60 Hz
● Maximum power	0.9 kW
● Tube voltage	70 kVp (± 10 %)
● Tube current	7mA (± 15 %)
● Total filtration	≥2.1 mm Al/Equiv./70kV
● Exposure time	0.06 to 2.50 s
● Working cycle	1/30s
● Focus - SSD	220mm
● Radiation field	≤ 60 mm
● Leak radiation	<0.25mG/h @ 1 m

Wall Mounted Measures



XZeal Technologies, Inc.
 3605 Commerce Blvd - Suite G
 34741 - Kissimmee - FL - USA
 Phone: 1 (407) 518-9111
 Fax: 1 (407) 933-4003
 e-mail: info@xzeal.us - www.xzeal.us

